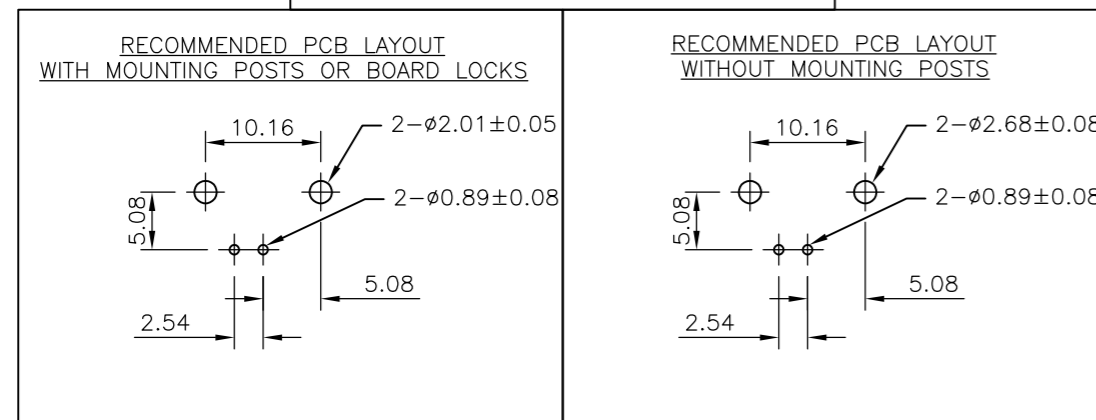
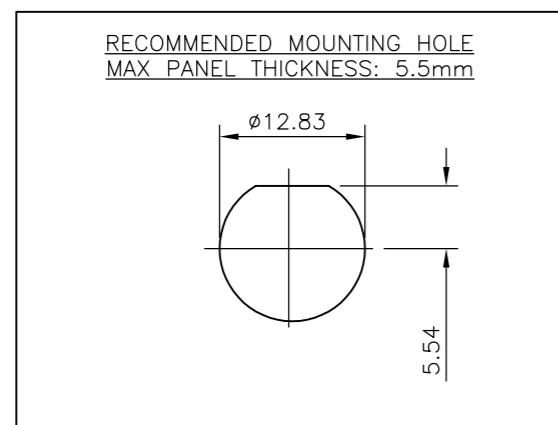
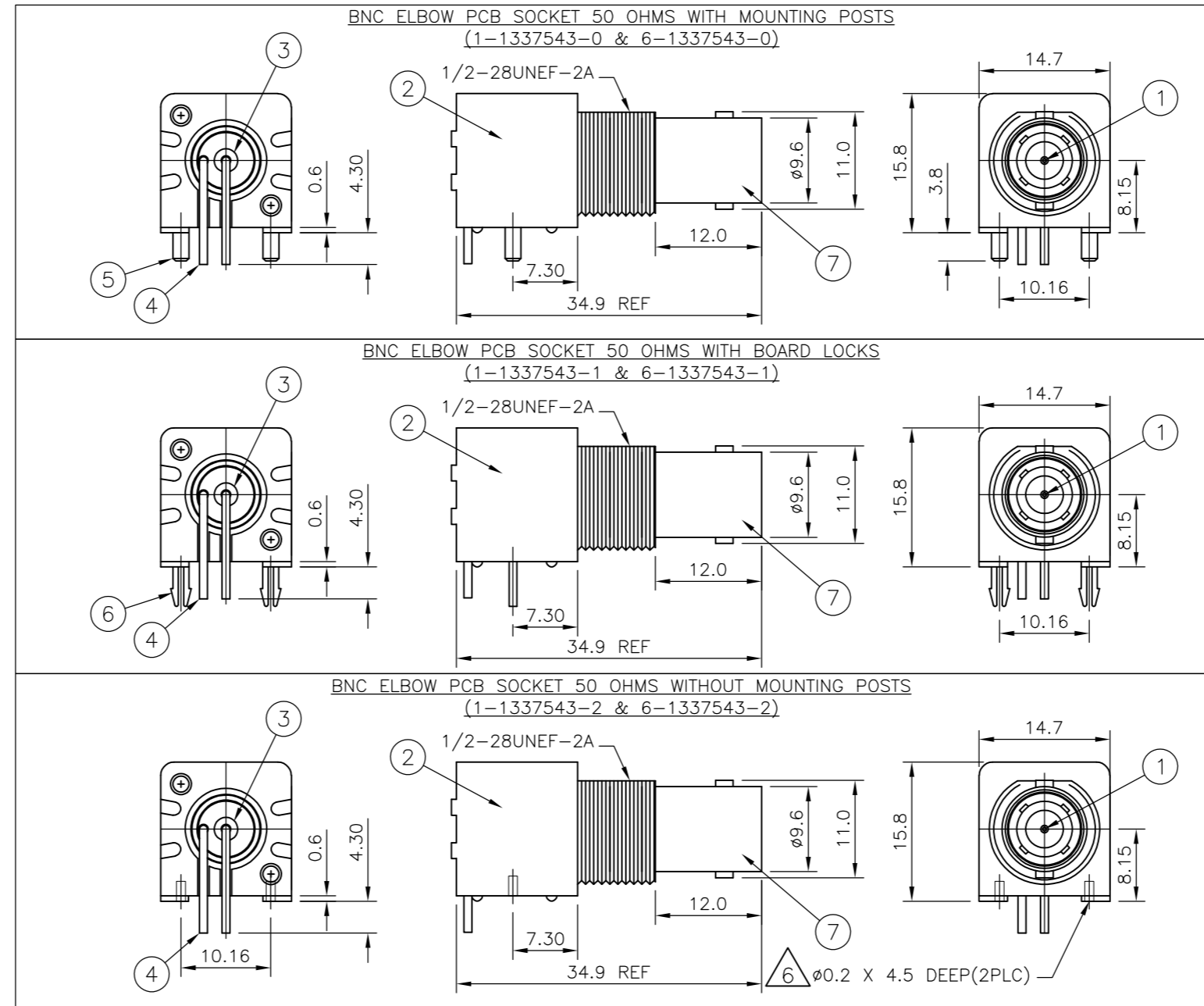


THIS DRAWING IS UNPUBLISHED. RELEASED FOR PUBLICATION AUGUST, 2005.
 © COPYRIGHT 2005 BY TYCO ELECTRONICS CORPORATION. ALL RIGHTS RESERVED.

LOC	DIST	REVISIONS					
		P	LTR	DESCRIPTION	DATE	DWN	APVD
E	B	D		ECR-08-001160	15FEB08	JMS	FWK

- NOTES:**
- ▲ SINGLE PACK IN ACCORDANCE WITH AMP SPEC 107-3275
 - ▲ 50 TRAY PACK IN ACCORDANCE WITH AMP SPEC 107-3275
 - ▲ GOLD PLATING
 - ▲ NICKEL PLATING
 - ▲ TIN PLATING
 - ▲ RECOMMENDED SELF-TAPPING SCREW 221108-4
 - 7. RECOMMENDED MOUNT NUT 1-1634816-0
 - 8. RECOMMENDED LOCKWASHER 1-1634817-0
 - 9. **CHARACTERISTICS**
 - FREQUENCY RANGE: DC - 4GHz
 - NOMINAL IMPEDANCE: 50 OHMS
 - WORKING VOLTAGE: 500V RMS
 - INSULATION RESISTANCE: 5000 MOHMS
 - DIELECTRIC WITHSTAND VOLTAGE: 1500V RMS
 - CONTACT RESISTANCE:
 - CENTRE CONTACT: 1.5 mOHMS
 - OUTER CONTACT: 0.2 mOHMS
 - 10. **MECHANICAL CHARACTERISTICS**
 - DURABILITY: 50 CYCLES
 - 11. FOR TECHNICAL DATA REFER TO YOUR LOCAL TYCO ELECTRONICS SALES OFFICE
 - 12. ALL DIMENSIONS ARE NOMINAL FOR REFERENCE ONLY UNLESS OTHERWISE STATED



QTY	1	1	1	1	1	1	MATERIAL	DESCRIPTION	ITEM
1	1	1	1	1	1	1	ZINC DIECAST	▲ BODY	7
-	-	2	2	-	-	-	BRASS	▲ BOARD LOCK	6
-	-	-	-	2	2	-	BRASS	▲ MOUNTING POST	5
1	1	1	1	1	1	1	BRASS	▲ SOLDER TAIL	4
1	1	1	1	1	1	1	PE-606	INSULATOR	3
1	1	1	1	1	1	1	PBT WHITE	HOUSING	2
1	1	1	1	1	1	1	BRASS	▲ CONTACT	1
6--2	1--2	6--1	1--1	6--0	1--0	-	MATERIAL	DESCRIPTION	ITEM

THIS DRAWING IS A CONTROLLED DOCUMENT.

DWN	J.SANDWELL	02AUG05	Tyco Electronics Corporation Bideford, UK, EX39 4HE
CHK	S.PARLOW	02AUG05	
APVD	F.WHEELER-KING	02AUG05	
PRODUCT SPEC			
APPLICATION SPEC			NAME
MATERIAL	SEE TABLE	FINISH	SEE TABLE
WEIGHT	-	SCALE	A2
CUSTOMER DRAWING		CAGE CODE	00779
		DRAWING NO	C=1337543
		RESTRICTED TO	-
		SCALE	NTS
		SHEET	1 OF 1
		REV	D